

# Slope Wall Housing - GSWH

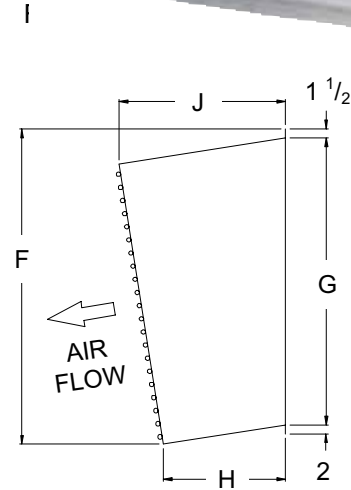
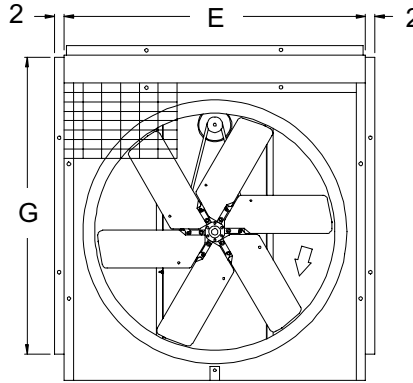


Two types of materials to choose from:

- GSWH housing is constructed of galvanized steel for long, durable wear and low maintenance
- SWHA is constructed of aluminum for a rust-resistant finish. The slope wall housing allows the shutter to be placed on the intake side of the fan and eliminates the air turbulence that occurs with the shutter on the exhaust side of the fan. It also prevents the warm air from being lost through the metal wall housing to the outside cold air in cold climate conditions



FRONT VIEW



SIDE VIEW

Size	E	F	G	H	J
24	32-3/8	37-11/16	32-11/16	23-7/8	29 1/16
30	38-3/8	44-1/2	38-3/4	23	29 1/16
36	44-3/8	50-5/16	44-13/16	22-1/2	29 9/16
42	50-3/8	56-5/16	50-15/16	21-3/4	29-11/16
48	56-3/8	62-3/8	57	21-5/8	30-1/2
54	62-3/8	68-11/16	63-1/16	22-3/4	32-9/16
60	68-1/4	74-1/4	69-1/8	22-1/4	33

Rough Opening for GSWH & SWHA Housings:

Add 1/2" to 'E' for Width For 4" Wall: Add 1 1/4" to 'G' for Height  
 For 2" Wall: Add 3/4" to 'G' for Height For 6" Wall: Add 1 1/2" to 'G' for Height