



# Rack & Pinion Vent System

## For Ridge Peak and Quonset Roofs

Strength • Dependability • Performance

Total Energy group focuses on energy related technologies. For the greenhouse grower they offer many energy efficient products, including: Energy shade curtains, 99 % efficient unit heaters, gas fired boilers, heating pipe insulation and water saving equipment. They also offer a complete line of replacement vent

parts, extrusions, rack and pinion gears, manual and motorized drive systems and controls.

**Contact Hummert's Greenhouse Sales and Design Team for more information on roof, sidewall and pad vent repairs and for pricing.**



Ridder Curved Steel Rack Arm at Double Roof Vent



Ridder Straight Steel Rack Arm at Roof Vent

### Ridder Steel Rack 22mm

Rack Length	Rack Type	Model Number	Catalog Number
31"	Straight	22-3/L792	29-48050
35"	Straight	22-3/L892	29-48060
41"	Straight	22-3/L1043	29-48070
49"	Straight	22-3/L1244	29-48080
57"	Straight	22-3/L1445	29-48090
67"	Straight	22-3/L1696	29-48100
35"	Curved	22-3/RI/L892	29-48150
49"	Curved	22-3/RI/L1244	29-48160
57"	Curved	22-3/RI/L1445	29-48170
67"	Curved	22-3/RI/L1695	29-48180

### Ridder Pinion Assembly 22mm

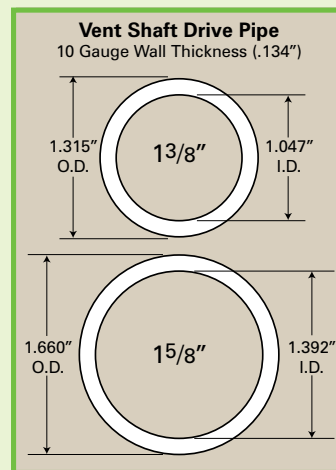
Dia Drive Pipe	Type of Bearing	Model Number	Catalog Number
1 3/8"	Brass	TU11-22	29-48300
1 3/8"	Nylon	TU5-22	29-48320

### Ridder Shaft Hangers

Dia Drive Pipe	Bearing Location to bottom	Length of Hanger	Part Number	Catalog Number
* 1 3/8"	87 mm	120mm	503100	29-48400
* 1 3/8"	167 mm	200 mm	503105	29-48410
* 1 3/8"	187 mm	220 mm	503110	29-48420
* 1 5/8"	178 mm	218 mm	503222	29-48430

### Ridder Accessories

Description	Part Number	Catalog Number
Sash Bracket (68mm)	500021	29-48340
* Ridder AXT Grease (2 lbs)	565062	29-48500



Ridder Curved Steel Rack Arm at Double Wall Vent

### Vent Shaft Drive Pipe

Description	Size	Catalog #
10 ga Vent Shaft Drive Pipe	1-3/8" x 24'	24-13000
10 ga Vent Shaft Drive Pipe	1-5/8" x 24"	24-13050
Cut Charge for Vent Shaft	—	24-12010
* Vent Shaft coupling	1-3/8"	29-45920
* Vent Shaft coupling	1-5/8"	29-46050

### Knuckle Style Vent Parts

Description	Size	Catalog #
* Arm & Rod	21" long	29-39900
* Shaft Hanger	1-3/8" (1" Water Pipe)	29-39950

**SHIPPED FOB: New York**

**SHIPPED FOB: California**

Contact Hummert's for information and pricing on the complete line of Ridder Motors and Gearboxes

