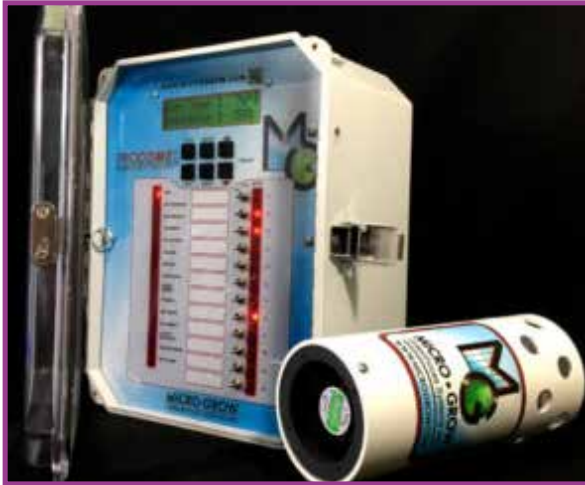




Growmaster Procom II



Years of research and development have resulted in the Growmaster Procom II being the system of choice for hundreds of commercial and research greenhouses and growing operations throughout the world. From a single zone operation, to complex multiple zone application, the Procom II delivers time and time again. The Procom II features "state of the art" control algorithms based on internal greenhouse conditions as well as outdoor weather conditions. Also included are four separate daily operation modes including DIF. Manual override switches are located on the front panel for ease of use. A large informative display constantly updates as to all greenhouse conditions and equipment operations. Enclosed in a NEMA 12, lockable non-metallic enclosure with a clear cover, the Procom II is easy to use and easy to install on new and existing projects.

- Low voltage 24 VAC operations
- Multiple zone capability
- Energy saving features for commercial growers
- Precise automation for research applications
- Sensor history record and display for 30 days
- Irrigation and misting control based on time, or soil moisture
- Accurate microprocessor control of your entire environment
- Fully expandable with additional output modules
- Add your PC to your Procom system for endless possibilities
- Companion VPD irrigation and propagation system available

CUSTOM PRE-WIRED CONTACTOR/RELAY CABINET

In order to interface the line voltage equipment to the low voltage controls, an optional pre-wired contactor/relay cabinet is required. Micro-Grow's custom pre-wired contactor/relay cabinet consists of a lockable, hinged and weatherproof NEMA12 non-metallic enclosure that is designed and manufactured for your particular project. Enclosures include factory installed load contactors, control relays and transformer. Cabinet is complete with custom drawings showing all sensor and equipment connections. Built to UL specifications, listed and labeled to meet requirements in the USA and Canada.

Custom Pre-wired Enclosure **29-30400** **Call for Pricing**

Contact Hummert's Greenhouse Sales and Design Department for further information and pricing for the complete line of Microgrow Controls

- Growlink computer software
 - Weathermaster
 - Weatherstat
 - Expansion Module, Motor controls
- SHIPPED FOB: California*

Growcom



Enjoy the same precision control as the Procom. The Growmaster Growcom is a single zone environment control system. The Growcom can also be used with Growlink, a Windows based software.

- The Growcom features four separate daily operations modes including DIF.
- Low voltage 24 VAC operation.
- Single zone operation. Heating, cooling, two sets of vents, and an air circulation stage. DIF operations standard.
- Order sensors separately.

Controlled Equipment:

- Alarm System Dialers
- Boiler Control
- CO2 Burners and Injectors
- Evaporative Coolers
- Exhaust Fans
- Floor Heating Systems
- Fog Systems
- Gas Fired Heaters
- Heated Irrigation Water
- HID Crop Lighting
- Horizontal Air Flow Fans
- Hot Water Mixing Valves
- Motorized Roof & Side Vents
- Pad Pumps
- Positive Pressure Cooling
- Proportional Roll Up Curtains
- Radiant Heating Systems
- Shade & Energy Curtains
- Soil Heating Systems
- Steam and Hot Water Heating

Growlink

The Growmaster series of greenhouse computer control systems offer the modern grower a choice in exact environmental control... by itself, or with the Growlink Program connected to the grower's own PC. As a stand alone system, all features including programming and system reports are available to the grower. With the Growlink Computer Software Program, remote operation, graphs, and enhanced reports are possible. Manual override switches, a large LCD display, output status LED's, and convenient grower programming switches are front panel located.

	Catalog #
Growlink Computer Pkg.	29-30180
Communications Package	29-30650

VENTMATE Plus

- Operates Greenhouse Vent Systems
- Retractable Roofs and Side Curtains
- Same Growmate Plus Features



Using the same advanced computer features as the Growmate Plus, the Ventmate Plus offers the same benefits to growers with ventilation systems. With the use of computer technology, two independent sets of roof or side vents are controlled in up to eight stages each without the need for position switches. Retractable roofs and rollup side curtains are easily operated.

Ventmate Plus System	Catalog # 29-30030
-----------------------------	-------------------------------------

SHIPPED FOB: California



Micro Grow Expansion Module

Adding an Expansion Module to the Procom or the Water Pro VPD irrigation system can increase the number of outputs that each can handle. Twelve additional outputs are offered on each expansion module. One Expansion Module may be added to each Procom. Two expansion Modules may be added to each Water Pro. Each output has its own manual ON-OFF-AUTO switch and indicator light. Same weatherproof fiberglass enclosure as the Procom and Water Plus.



Expansion Module	Catalog # 29-30160
-------------------------	-------------------------------------

Growstat Control Series

Now individual greenhouse computer based control functions are available in a low cost, easy to install package. Advanced features include a large display, easy to use programming switches, and a lockable weatherproof enclosure. Each Growstat control will hold and display the high and low sensor readings for the past 24 hours. Separate day, night, and DIF settings are standard. All are 24 VAC low voltage operation, and include applicable sensors and cables.

Growstat

The Growstat provides exacting control of individual Heating or cooling needs. Will operate one stage of heating and cooling in a single zone or two stages of either in a single zone. Fogging control version available using precise sensors for humidity, temperature or both.

Shadestat

The Shadestat will operate any motorized greenhouse shade system. Up to eight stages of operation.

Ventstat

Ventstat will operate any motorized greenhouse vent, roll-up, or retractable roof system. Up to eight stages of operation. Separate day, night, and DIF settings.



Description	Catalog #
Growstat	29-30110
Shadestat	29-30130
Ventstat	29-30120

Weathermaster & Weatherstat also available, call for more info

GROWMATE Plus

- Offers Digital Computer Accuracy
- Separate Day, Night and DIF Settings
- Optional Humidity Sensor Available

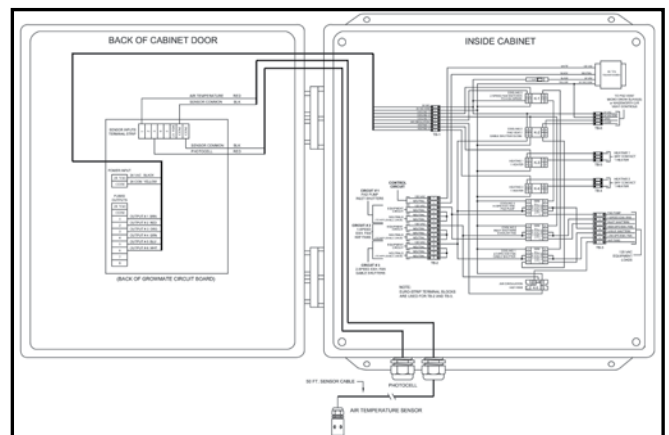


The Growmate Plus opens up the world of computer accurate environmental controls to all growers. Five cooling stages, an air circulation stage, and two heating stages are featured. The Growmate Plus will record and display the high and low temperatures for the past 24 hours. DIF technology, separate day and night set points, a built-in 24 hour time clock and an internal photocell are standard. With the addition of a digital humidity sensor, the Growmate Plus can offer the grower true digital and accurate dehumidification. A weatherproof, lockable enclosure with a clear cover is standard.

Growmate Plus System	Catalog # 29-30210
Humidity Sensor Upgrade	29-30230

Growmate Combo Unit

The Growmate Combo is ideal for less complex greenhouse ranges. The Growmate Combo uses all high grade electrical components mounted in NEMA cabinet. Micro Grow has combined the Growmate Control Series Control, with a high quality pre-wired electrical equipment cabinet. Quite simply, the cabinet is mounted, the sensor is set in the middle of the greenhouse, the electrician simply lands their wires on the pre-marked terminals for all of his equipment and circuits, and the job is done! A Remarkable product for a remarkable price!



Growmate Combo	Catalog # 29-30140
-----------------------	-------------------------------------