



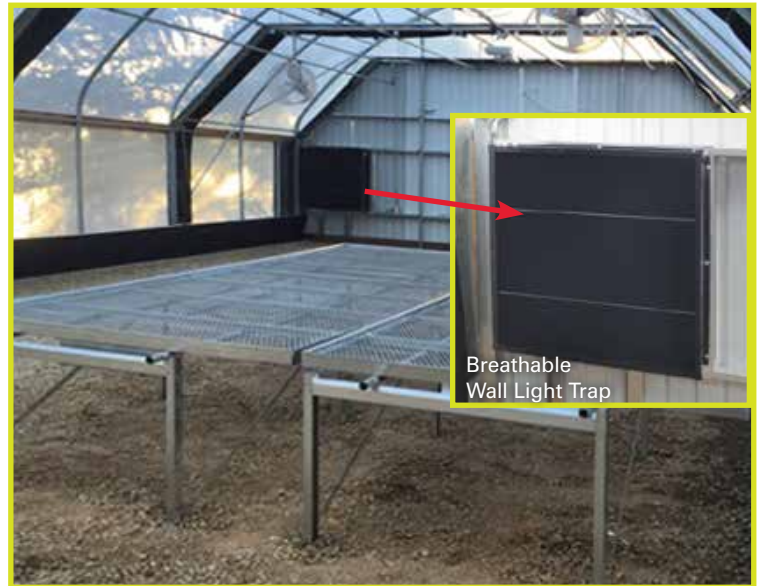
Breathable Wall Light Traps

The Breathable Wall gives you total control over your lighting program. Used for light deprivation over fans, air inlets, and wet wall systems. Made of durable corrosion free plastics, easily assembled, and removed, the BW will give you superior performance for many years. All BW models are available in various configurations, sizes, and light reductions.

Breathable Wall Light Trap

Offers the best air flow on the market and in return requires a smaller square footage of trap. Used to provide complete darkout capabilities in your greenhouse. Range from 8"-96" in length.

Custom sizes available - call for more information



For American Coolair Exhaust Fans	Fan Size	Catalog #
Breathable Wall 44" x 44"	36"	28-10800
Breathable Wall 56" x 56"	48"	28-10820
Breathable Wall 62" x 62"	54"	28-10840
For Schaefer Exhaust Fans		
Breathable Wall 44.5" x 44.5"	36"	28-10860
Breathable Wall 47.5" x 47.5"	42"	28-10880
Breathable Wall 53.5" x 53.5"	48"	28-10900
Breathable Wall 60.25" x 59.5"	54"	28-10920

Brown-Out Light Trap

Used in conjunction with evaporative cool cells. This combination offers a low cost method of maintaining good air flow and providing excellent light reduction. Range from 36" - 72"

Custom sizes available - call for more information



Description/Size	Catalog #
Brown Out 36" x 60"	28-10940
Brown Out 48" x 60"	28-10960
Brown Out 60" x 60"	28-10980
Brown Out 72" x 60"	28-11000

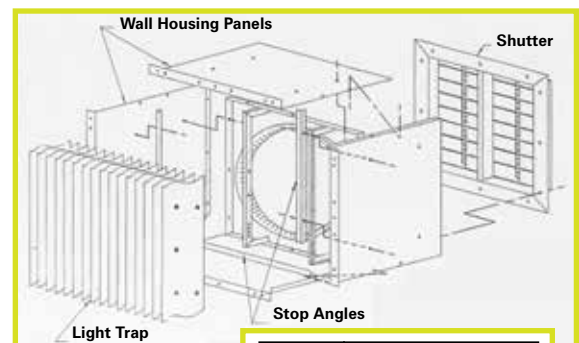
American Coolair Light Trap Housing

FWHL housing for fan and light trap. Square wall housing with shutter on the exhaust side and the light trap on the intake side. Guards cannot be mounted to shutters when the shutters are mounted on the exhaust side as they are in the FWHL housings.

Special Deep Box Housing Only - for Fan, Shutter & Light Traps	Fan Size	Model #	Catalog #
Square Housing 44" x 44" x 12"	36"	FWHL36	27-10400
Square Housing 56" x 56" x 12"	48"	FWHL48	27-10420
Square Housing 62" x 62" x 12"	54"	FWHL54	27-10440

*Does not include fan, shutter or light trap

Inlet Air Housing Only For Light Trap	Height of Inlet Opening	Model #	Catalog #
Square Housing 44" x 44" x 12"	39"	AIH39E	27-10460
Square Housing 56" x 56" x 12"	51"	AIH51E	27-10480
Square Housing 62" x 62" x 12"	57"	AIH57E	27-10500



*Does not include motorized shutter or light trap

MODEL	ROUGH IN OPENING
FWHL24	33 X 33
FWHL36	45 X 45
FWHL48	57 X 57
FWHL54	62 X 62